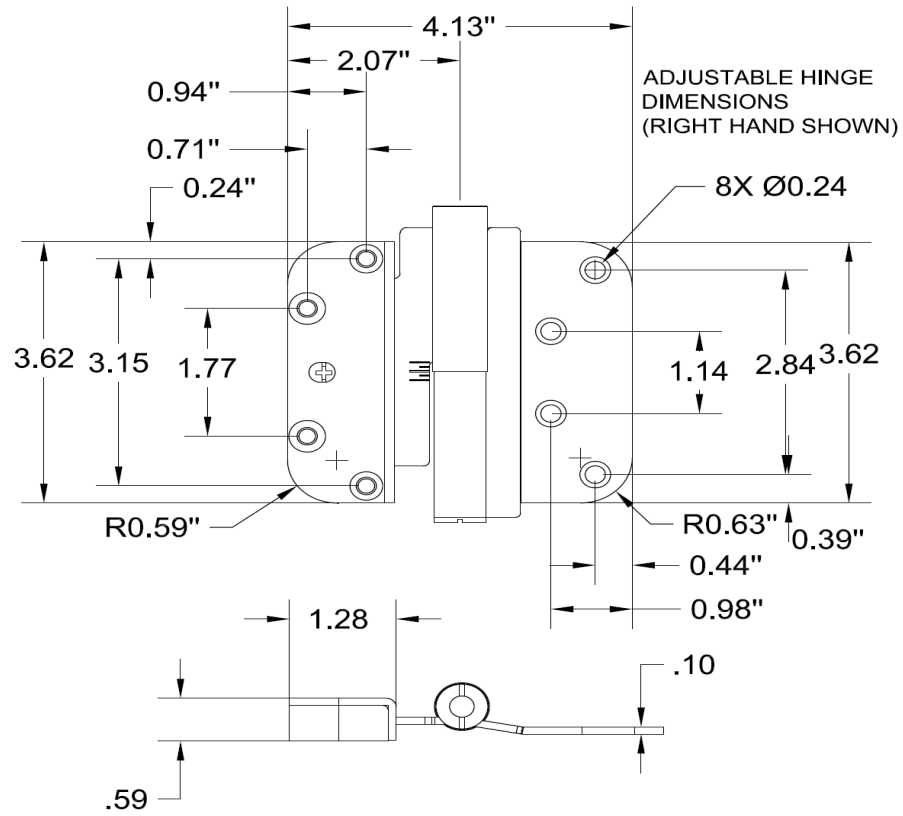
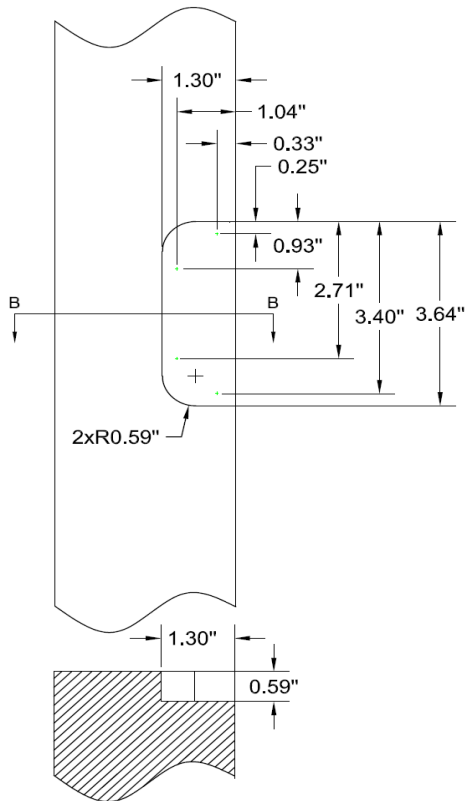


M3 DUAL ADJUSTABLE LIFT OFF CONCEALED BALL BEARING HINGE

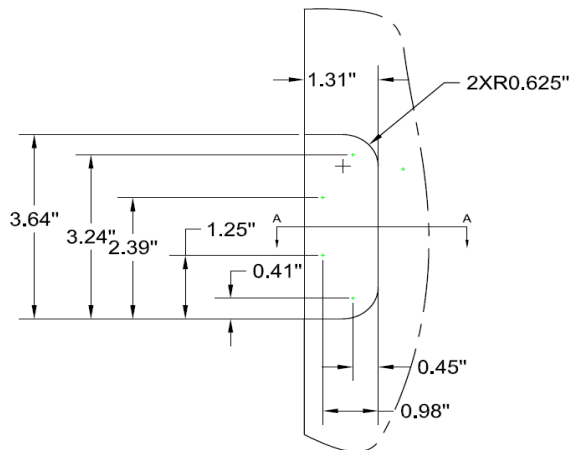


DOOR

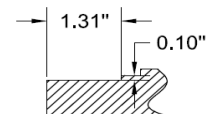
FRAME



SECTION B-B



Routing Details



SECTION A-A



Rockwell M3 Dual Adjustable Lift-Off Hinge Technical Data Sheet

Part Numbers: 1250 series and 1251 series

Hi-Performance Lift Off Hinge is suitable for Medium to high frequency Residential door applications according to ANSI/BHMA 156.1. The Rockwell Hi-Performance Hinge has been independently tested to exceed ANSI/BHMA 156.1 with 3 hinges on a 180lbs door for 350,000 cycles.

Minimum Door Thickness: 1-3/4" (44mm)
Maximum Adjusted Door Weight with 3 hinges: 180 lbs.
Maximum Adjusted Door Weight with 4 hinges: 240 lbs.

Installation Instructions

Rockwell Hi-Performance Lift Off Hinges are Handed.

The Hinge body with the Pin is fitted onto the door panel with the Pin Pointing Down.
The Hinge leaf with the Knuckle is installed on the door Frame with the knuckle hole pointing up to receive the Pin.

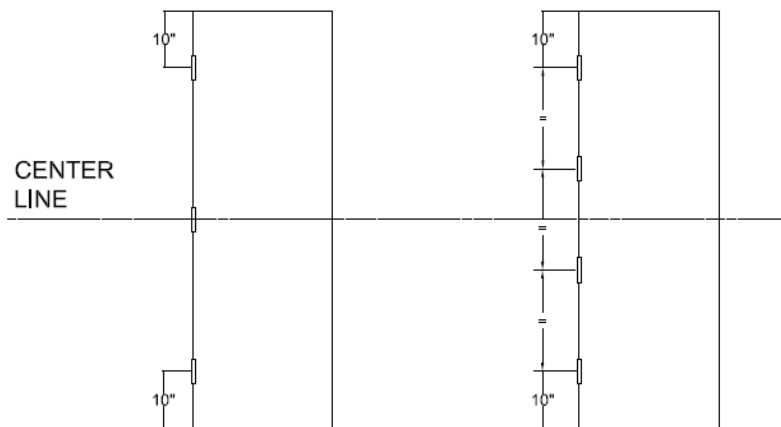
Hi-Performance Lift Off Hinges are precisely manufactured with minimum clearances or play. Ensure the Hinge Body and Hinge leaf are accurately installed on both horizontal and vertical planes and the axis of the Hinge Pin and Hinge Knuckle are Inline.

Hi-Performance Lift Off Hinges are pre-lubricated. Depending on the extreme weather conditions the hinge may need lubrication but it is typically not required. Lithium Grease is the recommended lubricant.

Prepare the Door Panel and the Frame. Mark and Mortise both the door panel and Frame.
Drill Pilot holes, in the size to suit the door material being used.
Fasten hinge bodies to the Door Panel using #10 screws. Minimum 1-1/4" length is recommended on the door Panel. Ensure the hinge Pin is pointing down.
Fasten the hinge leaf onto the Door Frame, #10 by minimum 3/4" length is recommended. One screwhole is typically left out without a screw and is installed with a 1-1/2" or 2" long screw to reach the stud after the door is positioned into the rough opening.

Screw Lengths and types vary depending on the materials utilized. Ensure screws are fully tightened.

Hinges are pre-set in the Mid-position for 4 way adjustment. Do not adjust hinge until it is positioned into the rough opening to ensure maximum 4 way adjustment. Always adjust hinges vertically prior to horizontal adjustment.



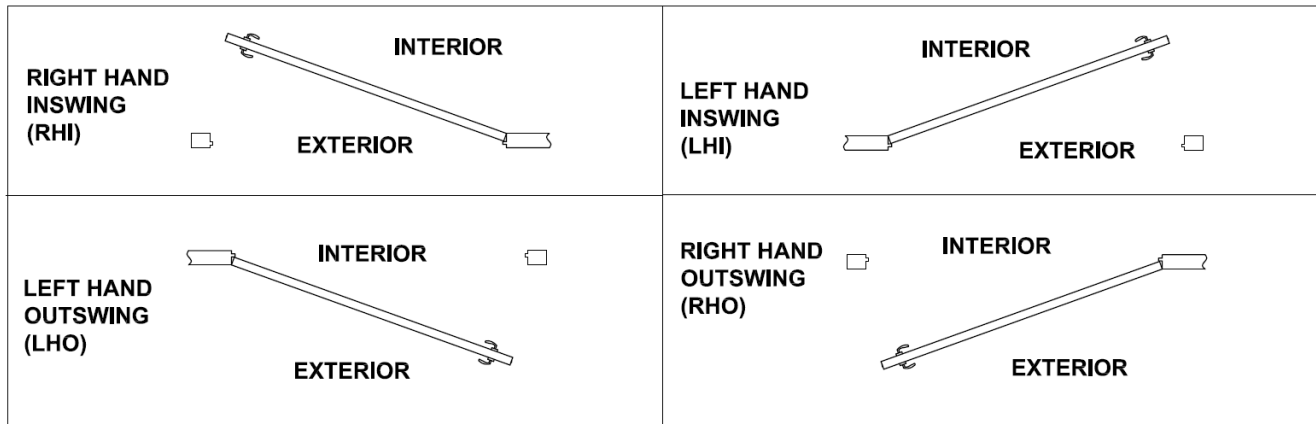
HINGE POSTIONING 1

HINGE POSTIONING 2





Door Handing Chart

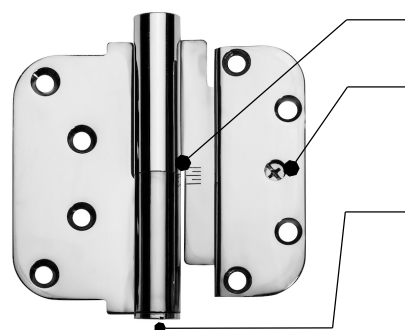


Part No.	Handing	Finish
12500MBL	Left Hand	Matt Black
12500MBR	Right Hand	Matt Black
12500003L	Left Hand	Brushed Nickel
12500003R	Right Hand	Brushed Nickel
12500TCHL	Left Hand	Brushed Chrome
12500TCHR	Right Hand	Brushed Chrome
12500005L	Left Hand	Polished Chrome
12500005R	Right Hand	Polished Chrome
12500006L	Left Hand	Antique Brass
12500006R	Right Hand	Antique Brass
12500001L	Left Hand	Brass Plated
12500001R	Right Hand	Brass Plated
12500WHL	Left Hand	White
12500WHR	Right Hand	White
125010BSBL	Left Hand	Solid Brass US10B
125010BSBR	Right Hand	Solid Brass US10B
1250SS08L	Left Hand	Brushed Stainless Steel
1250SS08R	Right Hand	Brushed Stainless Steel

Finishes



Independent Dual Vertical and Horizontal Adjustment



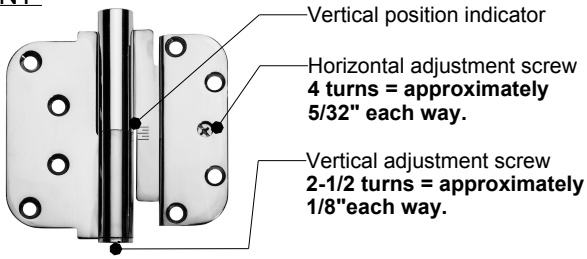
Vertical position indicator

Horizontal adjustment screw
4 turns = approximately 5/32" each way.
Total Horizontal adjustment = 5/16".

Vertical adjustment screw
2-1/2 turns = approximately 1/8" each way.
Total Vertical Adjustment = 1/4"

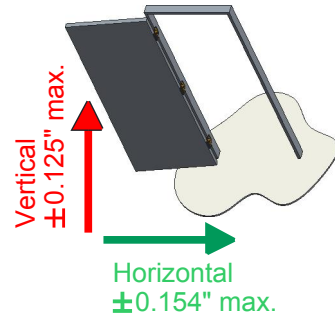
Dual Adjustable Lift Off Hinge Adjustment Instructions

HINGE FRONT VIEW



Hinges are preset in the mid-position to allow a 4 way adjustment

Do not use power tools. Only use a Phillips hand screwdriver and a 1/4" Hex key.



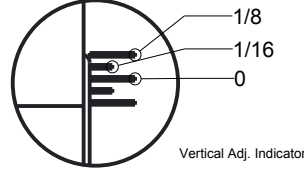
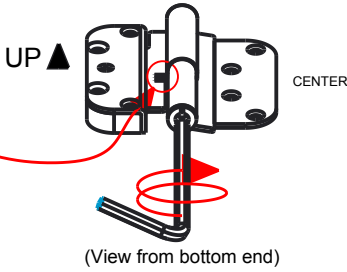
1. Vertical Adjustment



MOVEMENT TO BE OBSERVED ON THE VERTICAL INDICATOR

Center Hinge.

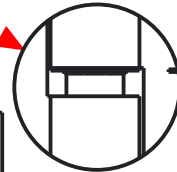
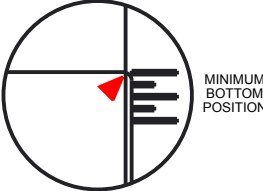
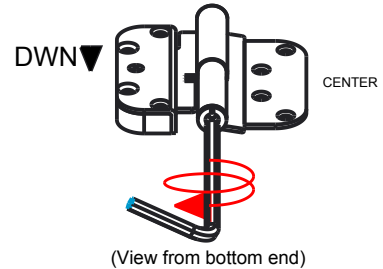
To raise the door panel by 1/16", turn the Hex key a little over a full turn. Monitor the position of the 3 line markers on the indicator. Adjusting the door up, you may also see a gap on the top and bottom hinges.



MOVEMENT TO BE OBSERVED ON THE VERTICAL INDICATOR

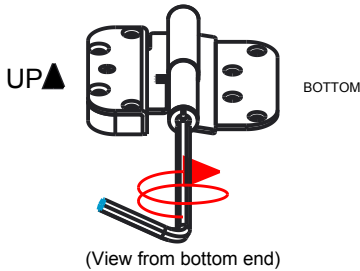
Center Hinge.

To lower the door panel by 1/16", turn the Hex key a little over a full turn.



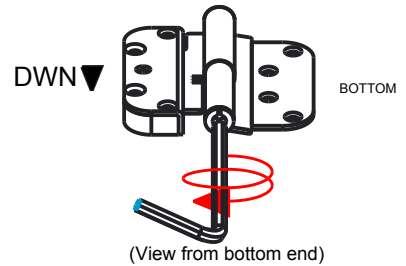
Top and Bottom Hinge

Repeat the same number turn on the Top and Bottom hinges. Check that the line markers on the top and bottom hinges match the adjusted center hinge line marker. Do not exceed the line markers during adjustment.

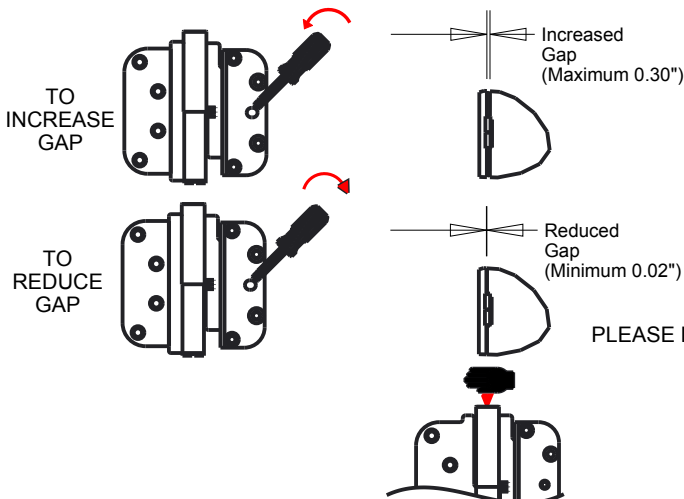


Top and Bottom Hinge

Repeat the same number of turn on the Top and Bottom hinges. The door will start to move down when adjusting the last hinge. Check that the line markers on the top and bottom hinges match the adjusted center hinge line marker.



2. Horizontal Adjustment



Adjust hinges as needed. Only 4 turns max are needed each way to either close or increase the gap.

Gently, push all the sleeves downward if needed to close the gap

