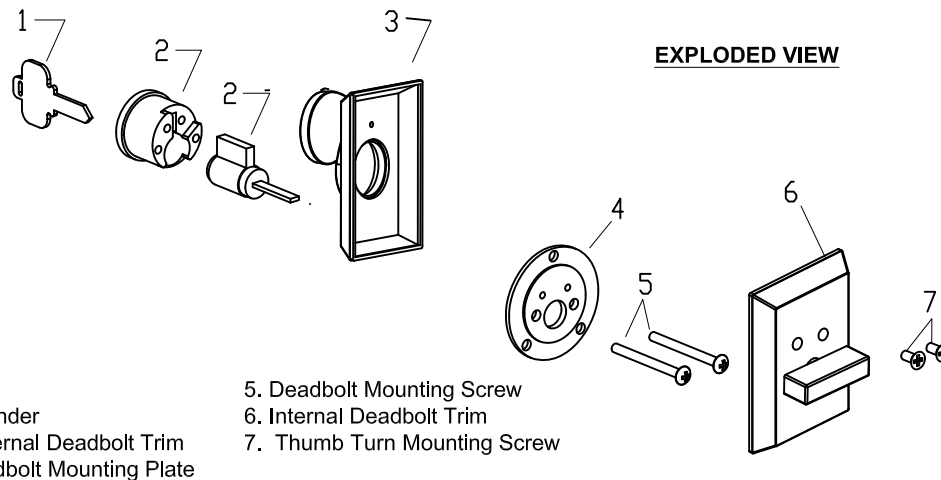


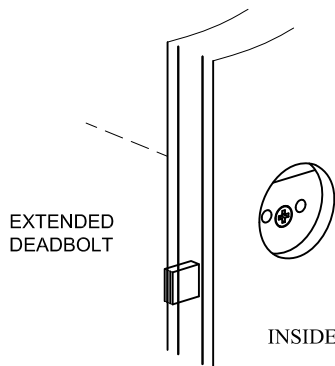
# MULTIPOINT DEAD BOLT INSTALLATION INSTRUCTIONS



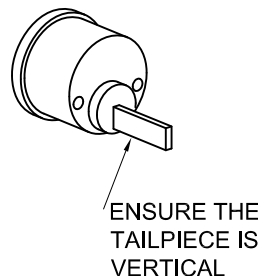
1. Key
2. Cylinder
3. External Deadbolt Trim
4. Deadbolt Mounting Plate

5. Deadbolt Mounting Screw
6. Internal Deadbolt Trim
7. Thumb Turn Mounting Screw

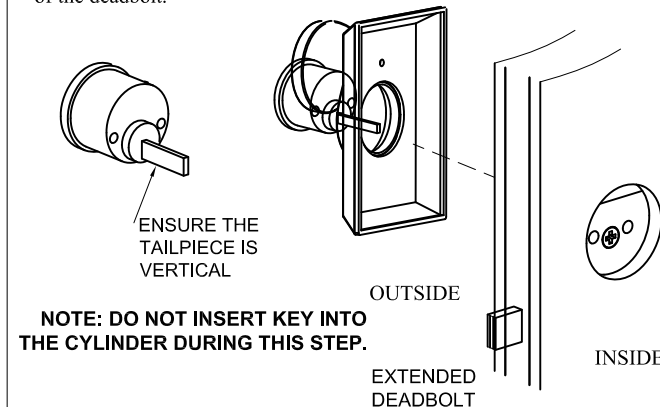
1. From the inside of the door, using a Phillips screwdriver, insert the screw driver into the Cross Slot of the deadbolt and turn 90 degrees to extend the deadbolt.



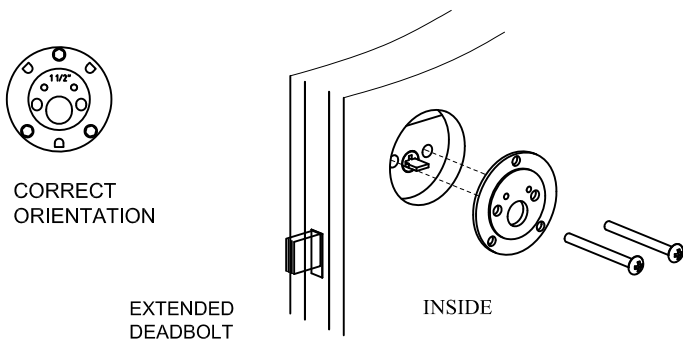
2. Without the key inserted into the cylinder rotate the tailpiece to its vertical position. **Note: IMPROPER ORIENTATION OF THE TAILPIECE WILL CAUSE THE DEADBOLT NOT TO FUNCTION PROPERLY**



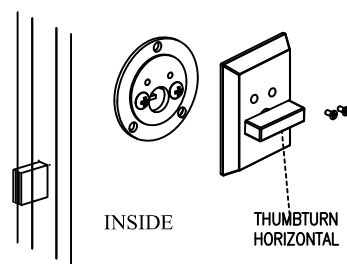
4. From the outside of the door, keeping the tailpiece of the cylinder VERTICAL, insert the tailpiece through the External trim and into the "+" slot of the deadbolt.



5. From the inside of the door orient the turn piece mounting plate and secure by inserting the two 2" pan head machine screws through the turn piece mounting plate, lock, and into the cylinder housing. **PLEASE DO NOT OVERTIGHTEN SCREWS.**



6. Install the Internal turn piece trim by positioning the turn piece THUMBTURN HORIZONTALLY over the mounting plate, inserting the cylinder tailpiece into the turn piece. Secure the turn piece in place by fastening two 1/2" turn piece mounting screws through the two countersunk holes on the turn piece.



## TRUBLE SHOOTING GUIDE

**PROBLEM:** Can't extend (lock) deadbolt unless key is in cylinder. Can't remove key from cylinder when the deadbolt is extended (locked).

**SOLUTION:** Key was inserted into the cylinder during installation. Remove the cylinder by first removing the turn piece trim, and turn piece mounting plate. Remove the key and re-install the deadbolt assembly. Refer to steps 3 and 4.

**PROBLEM:** Deadbolt can easily be locked using the turn piece trim on the inside but is difficult to lock when locked with the key from the outside.

**SOLUTION:** The cylinder is not properly aligned with the turn piece trim or improper door thickness. Remove the turn piece trim and loosen the two 2" pan head machine screw. Align the cylinder and retighten the 2" pan head screws. Ensure your door thickness is at least 1-3/4" thick

**PROBLEM:** Cannot extend deadbolt with the interior thumb turn or exterior key when door is closed.

**SOLUTION:** Open door and try to extend deadbolt. If deadbolt extends easily with the door open then the strike are not aligned with the deadbolt and/or locking points. Adjust the strike to align with the deadbolt and/or locking points.