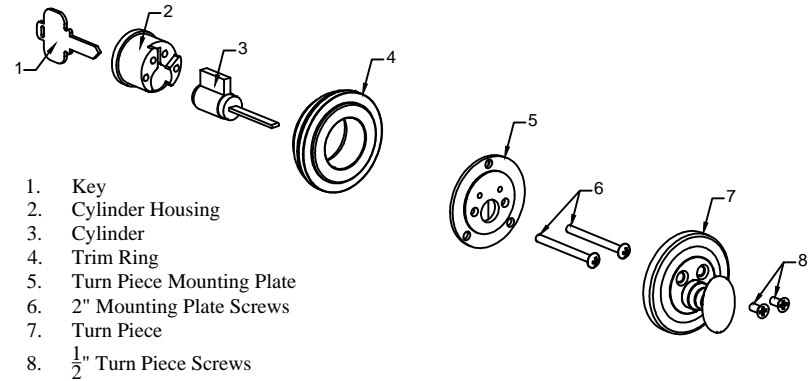
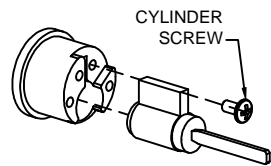


## MULTIPOINT DEAD BOLT INSTALLATION INSTRUCTIONS

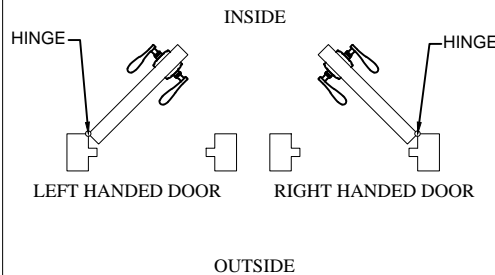


1. Key
2. Cylinder Housing
3. Cylinder
4. Trim Ring
5. Turn Piece Mounting Plate
6. 2" Mounting Plate Screws
7. Turn Piece
8. 1/2" Turn Piece Screws

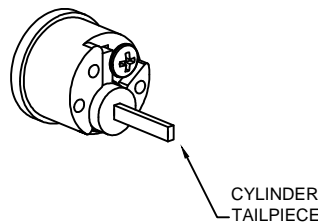
1. Install cylinder into cylinder housing by removing the cylinder screw from the back of the cylinder housing and inserting the cylinder. Re-install the screw and tighten to secure the cylinder into the housing.



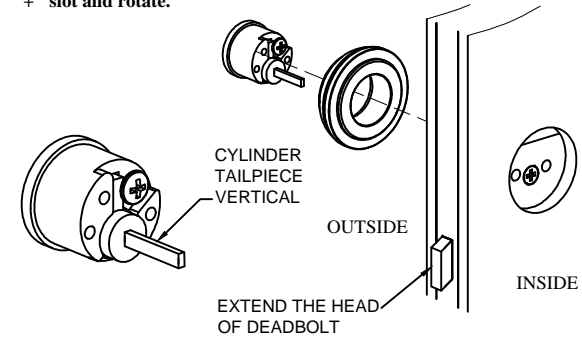
2. Determine the handing of door. Standing on the outside of the door if the hinges are to the left of the door then the door is left handed and if the hinges are to the right of the door then the door is right handed.



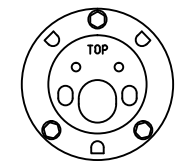
3. Keeping the tailpiece vertical.  
**Note: IMPROPER ORIENTATION OF THE TAILPIECE WILL CAUSE THE DEADBOLT NOT TO FUNCTION PROPERLY**



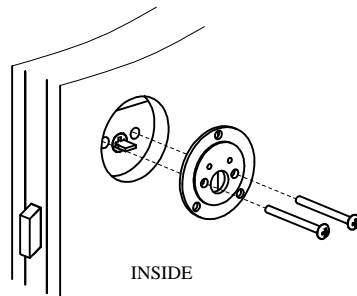
4. From the outside of the door, keeping the tailpiece of the cylinder vertical, insert the tailpiece through the trim ring and into the "+" slot of the deadbolt. Ensure the bolt is extended for installation.  
**NOTE: To extend the head of the deadbolt, insert a screwdriver into the "+" slot and rotate.**



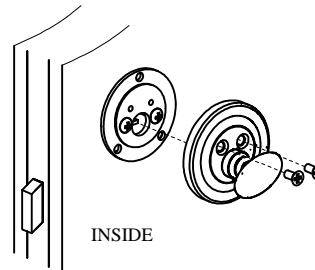
5. From the inside of the door orient the turn piece mounting plate and secure by inserting the two 2" pan head machine screws through the turn piece mounting plate, lock, and into the cylinder housing.



PROPER TURN PIECE MOUNTING PLATE ORIENTATION



6. Install the turn piece trim by positioning the turn piece over by positioning the turn piece over the mounting plate, inserting the cylinder tailpiece into the turn piece. Secure the turn piece in place by fastening two 1/2" turn piece mounting screws through the two countersunk holes on the turn piece.



### TROUBLE SHOOTING GUIDE

**PROBLEM:** Can't extend (lock) deadbolt unless key is in cylinder. Can't remove key from cylinder when the deadbolt is extended (locked).  
**SOLUTION:** Cylinder tailpiece is not oriented properly. Remove the cylinder by first removing the turn piece trim, and turn piece mounting plate. Rotate the cylinder tailpiece 180 degrees and re-install the deadbolt assembly. Refer to steps 3 and 4.

**PROBLEM:** Deadbolt can easily be lock using the turn piece trim on the inside but is difficult to lock when locked with the key from the outside.  
**SOLUTION:** The cylinder is not properly aligned with the turn piece trim or improper door thickness. Remove the turn piece trim and loosen the two 2" pan head machine screw. Align the cylinder and retighten the 2" pan head screws. Ensure your door thickness is at least 1-3/4" thick

**PROBLEM:** Cannot extend deadbolt with the interior thumb turn or exterior key when door is closed.  
**SOLUTION:** Open door and try to extend deadbolt. If deadbolt extends easily with the door open then the strike are not aligned with the deadbolt and/or locking points. Adjust the strike to align with the deadbolt and/or locking points.