



ENTRY DOOR PASSAGE LATCHSET INSTALLATION INSTRUCTIONS



BEFORE YOU BEGIN

Check the thickness of the door. The product will work with a door thickness of 1-3/8" - 1-3/4" thick only.




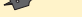




Note

- If your door is pre-bored, go to Step 1 for passage set installation. If your door is not pre-bored, go to Step 2 and 3 for preparing the door for the latch set and strike.
- The latch bolt for this handleset has an adjustable backset. The latch bolts are preset to a 2-3/8" backset. Only adjust the latch bolt if your door is pre-bored to a 2-3/4" backset.

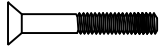
TOOLS REQUIRED:

- Phillips screwdriver 
- or power screwdriver 

ADDITIONAL TOOLS IF DOOR IS NOT PRE-BORED:

- Center punch 
- 1/8" drill bit 
- 3/8" drill bit 
- 7/8" spade bit 
- Wood chisel 
- 2-1/8" hole saw 
- 1" spade bit 
- Drill 

INSTALLATION FASTENERS



(2) MOUNTING PLATE / ADAPTER SCREW
#8-32x1-1/4"



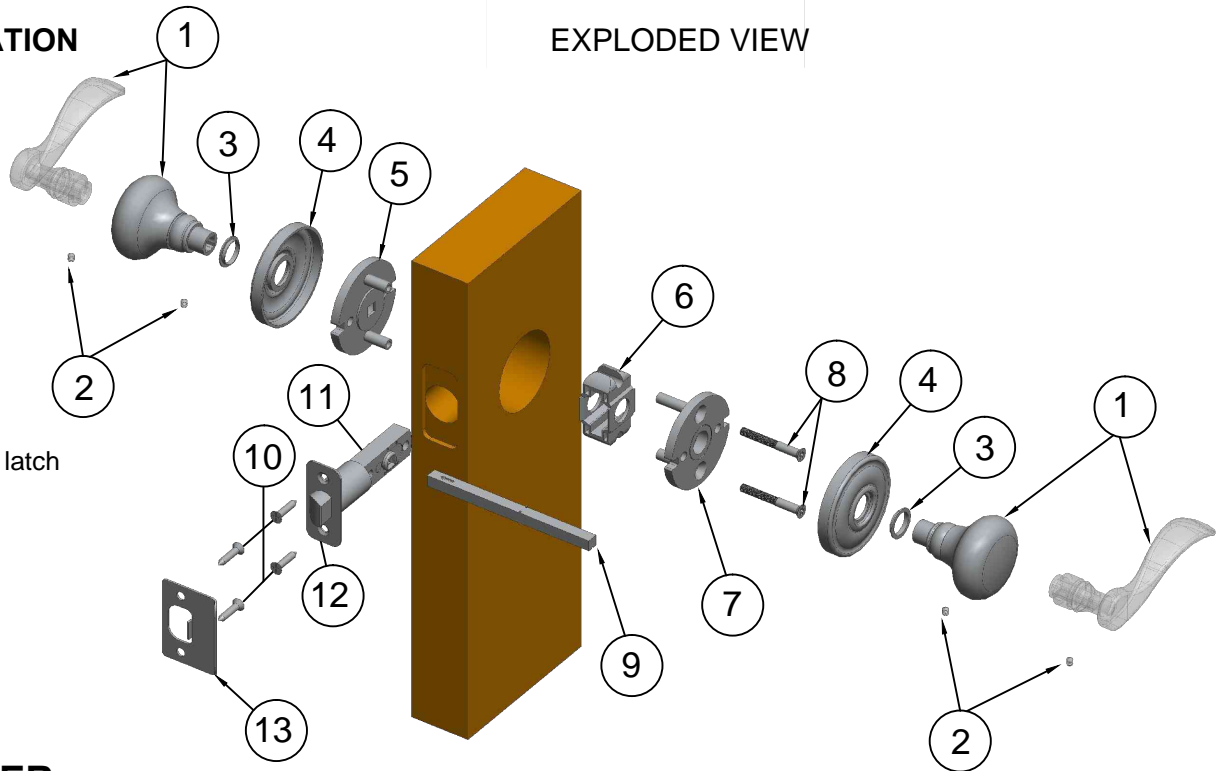
(4) COMBO SCREW
#8 x 3/4"



(2) SET SCREW
1/4"-20

PART IDENTIFICATION

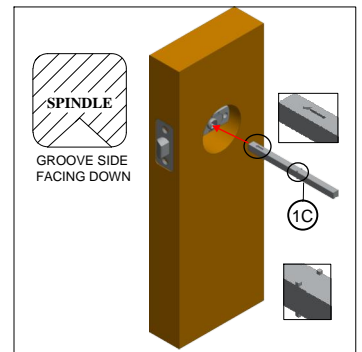
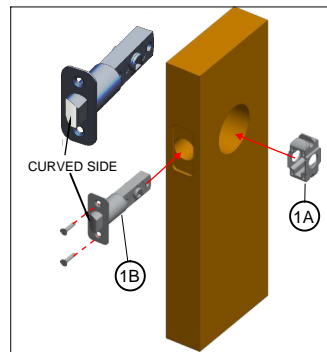
1. Knob / Lever
2. Set screw
3. Plastic washer
4. Rosette
5. Outside adapter
6. Latch support
7. Inside adapter
8. Flat head screws
9. Spindle
10. Wood screws
11. Adjustable backset latch
12. Latchbolt
13. Strike



EXPLODED VIEW

1 KNOB / LEVER

- From the interior (roomside) place the metal latch support into the face bore.
- Install the latch into the door panel and through the metal latch support. Using two wood screws to fasten latch onto the door panel.
Note: The curved side of the latchbolt must face the frame jamb.
- From the interior of the door insert the spindle. Insert the spindle with the groove side down and the stamped arrow towards the square hole of the latch. Slide the spindle through the latch until the tabs of the spindle are touching the latch.



D. Install the inside adapter. Insert the two legs of the adapter into the holes in the latch support.

Note: *The inside adapter has countersunk screw mounting holes to receive the heads of the screws.*

E. Install the outside adapter. Insert the two legs of the adapter into the holes in the latch support.

F. From the interior, insert the two flat head screws into the adapter holes and drive them into the outside adapter.

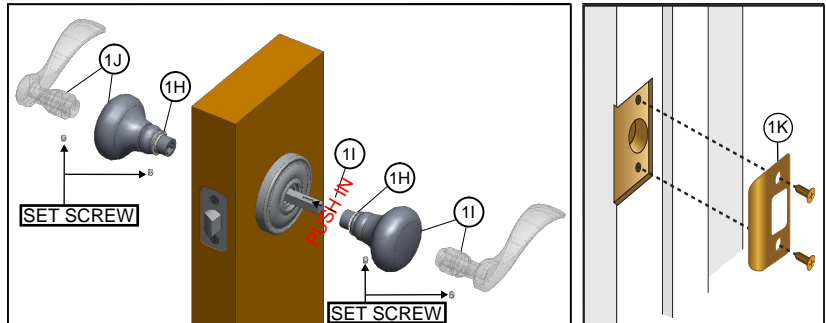
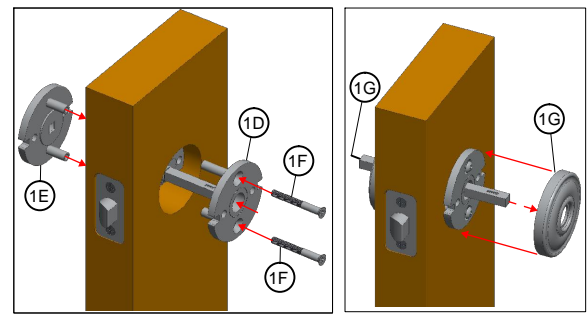
G. Snap the rosettes onto the adapters.

H. Place the plastic washers on the shank of the knob/levers.

I. Slide the interior knob/lever onto the spindle, pushing the spindle from the exterior side at the same time. Make sure there is not a gap between the knob/lever and the rosette. Insert and tighten the set screw with the allen wrench provided.

J. Slide the exterior knob/lever onto the spindle. Make sure there is no gap between the knob/lever and the rosette. Insert and tighten the set screw with the allen wrench provided.

K. Place the strike and secure with the two screws provided.



2 PREPARING DOOR FOR PASSAGE LATCHSET

Note: *The following instructions are for doors that have not been pre-bored ONLY.*

A. Fold the template on the line and place on the door at the desired height (approximately 40" from the floor). Use a center punch to mark the hole locations on the face and edge of the door panel.

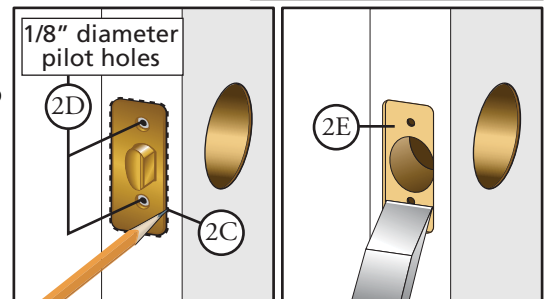
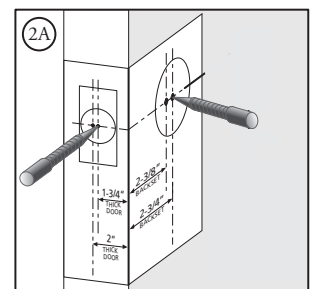
Caution: *RE-CHECK bore hole locations BEFORE drilling.*

B. Drill the face bores and edge bores as indicated on the template.

C. Insert the latch into the edges of the door. Trace an outline of the faceplate onto the door's edge and mark the screw hole centers.

D. At the screw hole marks, drill two 1/8" diameter pilot holes for the screws.

E. Chisel out the area marked in Step C to a depth of 5/32" or until the faceplate is flush with the door's edge.



3 PREPARING DOOR FOR STRIKE INSTALLATION

A. Using the strike portion of the marking template locate and use a center punch to mark the strike mounting screws and centering points for the door thickness.

B. Align the strike and trace the outline onto the door frame using the mounting screw marks for location.

C. At the screw marks, drill two 1/8" diameter pilot holes for the screws.

D. At the centering point mark, bore a 7/8" diameter by 3/4" deep hole.

E. Chisel the areas mark in Step B until the strike is flush with the door frame.

F. Place the strike and secure with the two screws provided.

