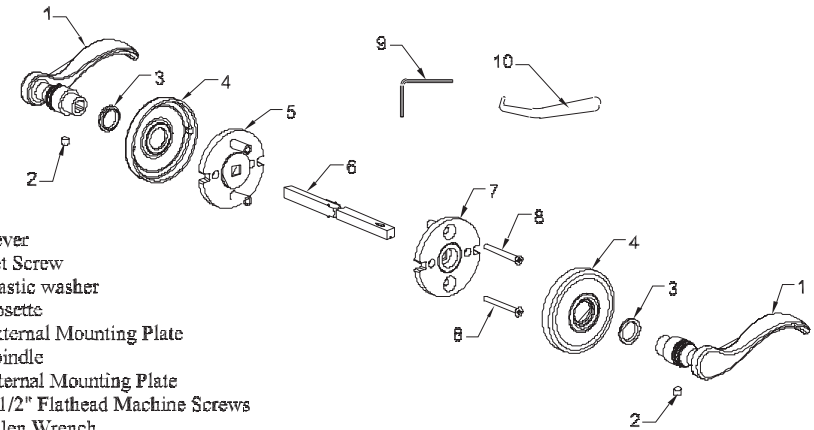




# MULTIPOINT LEVER SET INSTALLATION INSTRUCTIONS



1. Lever
2. Set Screw
3. Plastic washer
4. Rosette
5. External Mounting Plate
6. Spindle
7. Internal Mounting Plate
8. 1-1/2" Flathead Machine Screws
9. Allen Wrench
10. Rosette Pick

<p>1. From the outside of the door insert spindle, arrow side first, through the latch ensuring the groove side of the spindle is facing downwards until the stops of the spindle are flush with the lock body.</p>	<p>2. From the outside of the door slide the outside mounting plate over the spindle and insert the two legs of the mounting plate into the lock.</p>	<p>3. From the inside side of the door slide the inside mounting plate over the spindle and insert the two 1-1/2" machine screws into the internal mounting plate and tighten. Note: the internal mounting plate has two countersunk holes for the mounting screws.</p>	<p>4. Align the notches on the mounting plates with the notches of rosette and snap the rosettes onto both the external and internal mounting plates.</p>	<p>5. Place the plastic washer on the shank of both the levers.</p>
<p>6. Ensure the levers are oriented correctly.</p>	<p>7. Press the spindle from the external side of the door and from the internal side of the door slide the lever onto the spindle. Pressing the lever snugly against the rosette, insert and tighten the set screw with the provided Allen wrench.</p>	<p>8. From the external side of the door press the lever snugly against the rosette and insert and tighten the set screw with the provided Allen wrench.</p>	<p>If necessary to remove the rosette after levers have been installed, loosen the set screws and remove the levers. After the levers have been removed insert the rosette pick into the rosette and pry the rosette off.</p>	<h3>TROUBLE SHOOTING</h3> <p><b>PROBLEM:</b> Lever(s) keeps coming off the spindle.  <b>SOLUTION:</b> Ensure the spindle is oriented with the groove side down the set screw is securely tightened. Refer to Step 1.</p> <p><b>PROBLEM:</b> Lever rotates freely and does not retract the latch  <b>SOLUTION:</b> The spindle is not inserted fully. Ensure the stops on the spindle are flush with the lock. Refer to Step 1.</p>