



# 90° GLASS CLAMPS

Template Options for 90°  
(Glass-to-Glass Application)

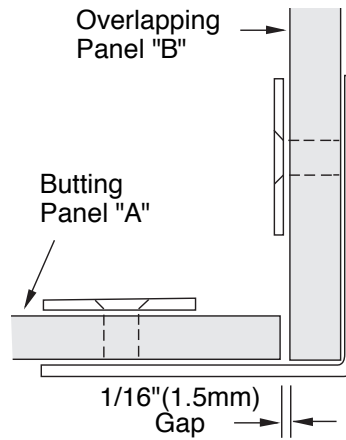
**CAT. No. SDGC90**  
90° Glass Clamp

ALWAYS USE DIMENSIONS  
TO ENSURE ACCURACY

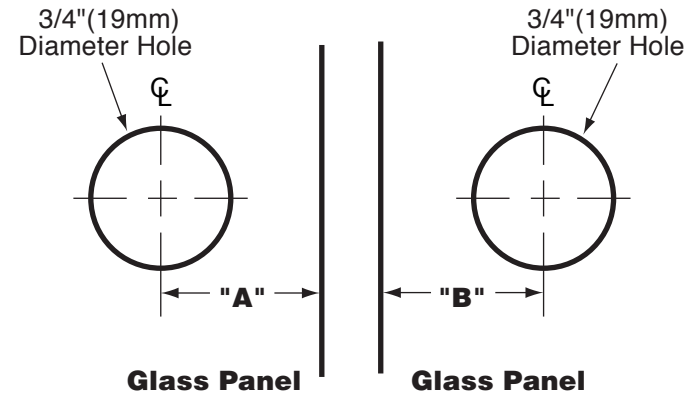


ROCKWELL SECURITY INC.

## TYPICAL INSTALLATION



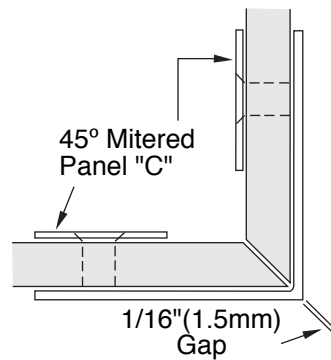
## TEMPLATE OPTION FOR SQUARE CUT GLASS



| GLASS THICKNESS | "A"     | "B"    |
|-----------------|---------|--------|
| 3/8"            | 1-3/16" | 1-5/8" |
| 1/2"            | 1-1/16" | 1-5/8" |

## TYPICAL INSTALLATION

**Important:**  
Project measurements  
from the outside  
**EDGE** of the  
mitered glass.



| GLASS THICKNESS | "C"    |
|-----------------|--------|
| 3/8"            | 1-1/2" |
| 1/2"            | 1-1/2" |

\*From the Outside Edge of Miter

## TEMPLATE OPTION FOR 45° MITERED GLASS

