

# 90° GLASS CLAMPS

Template Options for 90°  
(Glass-to-Glass Application)

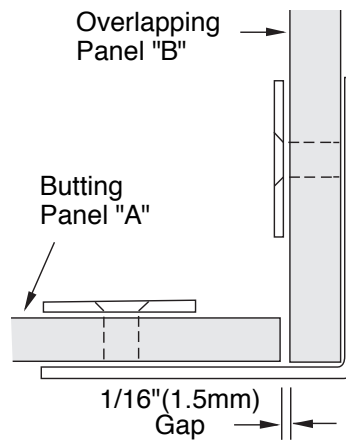
**CAT. No. SDGC90**  
90° Glass Clamp

ALWAYS USE DIMENSIONS  
TO ENSURE ACCURACY

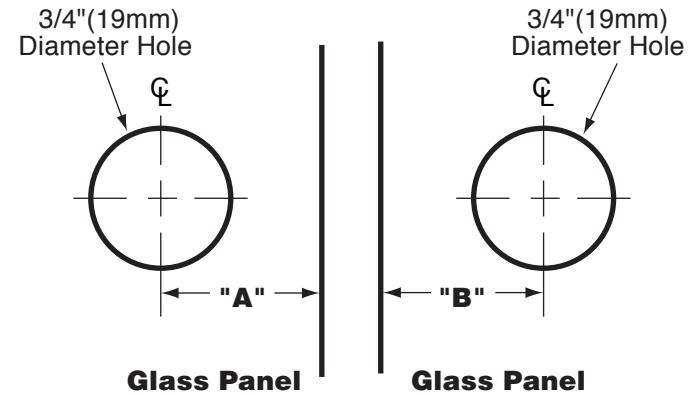


ROCKWELL SECURITY INC.

## TYPICAL INSTALLATION

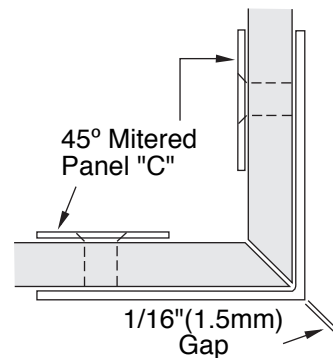


## TEMPLATE OPTION FOR SQUARE CUT GLASS



GLASS THICKNESS	"A"	"B"
3/8"	1-3/16"	1-5/8"
1/2"	1-1/16"	1-5/8"

## TYPICAL INSTALLATION



**Important:**  
Project measurements  
from the outside  
**EDGE** of the  
mitered glass.

GLASS THICKNESS	"C"
3/8"	1-1/2"
1/2"	1-1/2"

\*From the Outside Edge of Miter

## TEMPLATE OPTION FOR 45° MITERED GLASS

