



90° GLASS CLAMPS

Template Options for 90°
(Glass-to-Glass Application)

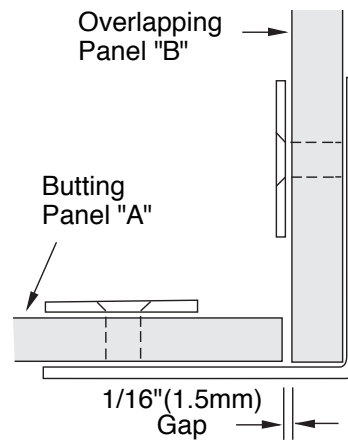
CAT. No. SDGC90
90° Glass Clamp

ALWAYS USE DIMENSIONS
TO ENSURE ACCURACY

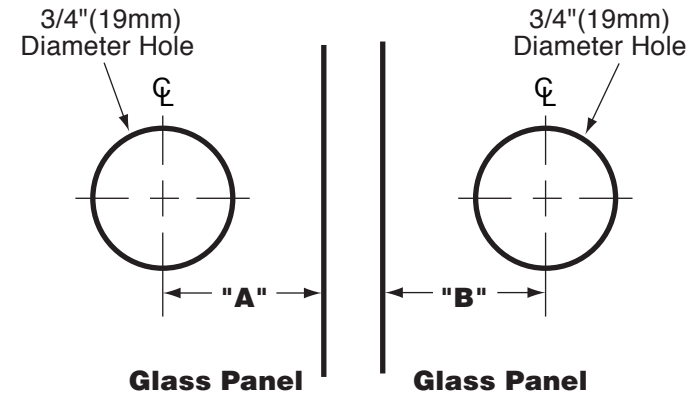


ROCKWELL SECURITY INC.

TYPICAL INSTALLATION



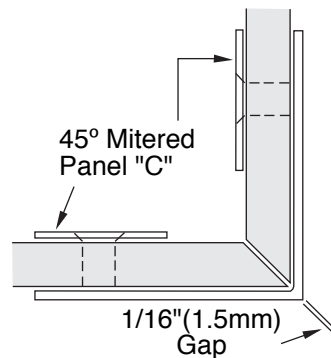
TEMPLATE OPTION FOR SQUARE CUT GLASS



GLASS THICKNESS	"A"	"B"
3/8"	1-3/16"	1-5/8"
1/2"	1-1/16"	1-5/8"

TYPICAL INSTALLATION

Important:
Project measurements
from the outside
EDGE of the
mitered glass.



GLASS THICKNESS	"C"
3/8"	1-1/2"
1/2"	1-1/2"

*From the Outside Edge of Miter

TEMPLATE OPTION FOR 45° MITERED GLASS

